

PRE-MITTERED PAINTABLE • STAINABLE COMPOSITE BRICKMOULD KIT

Pre-Mitered Primed Brick Mould Kit

For doors up to
3'0" x 6'8"



4Ever
Frame

Composite Wood

The **4Ever Frame**'s unique formulation combines the strength and stability of wood without the rotting, warping and splitting. The **4Ever Frame** has the same shape designs, use, and functionality as wood moulding, and can be similarly painted, stained, nailed, and machined.

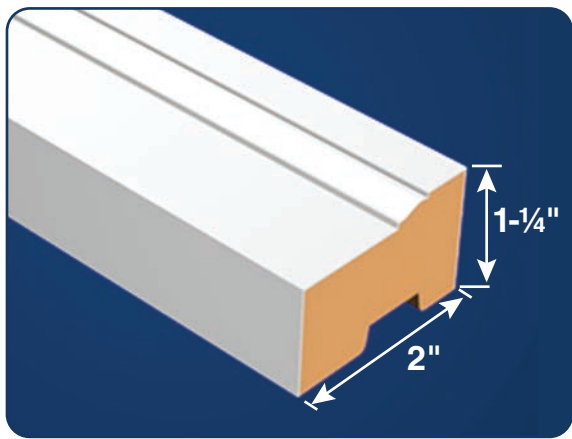
PRE-MITTERED PAINTABLE • STAINABLE COMPOSITE BRICKMOULD KIT

For doors up to
3'0" x 6'8"

For doors up to
3'0" x 6'8"



4Ever
Frame



Tips on Installation

Nailing

Install 4Ever Frame brickmould using 6d or 8d galvanized finished nails. Place nails 12" on center. Nails should be approximately 3/4" from each edge. If nailing product at 40°F or below, pre-drilling is required.

Painting/Staining

Be sure to follow the paint manufacturer's detailed application instructions on the product label. Please read and understand the manufacturer's entire staining procedure before attempting to finish.

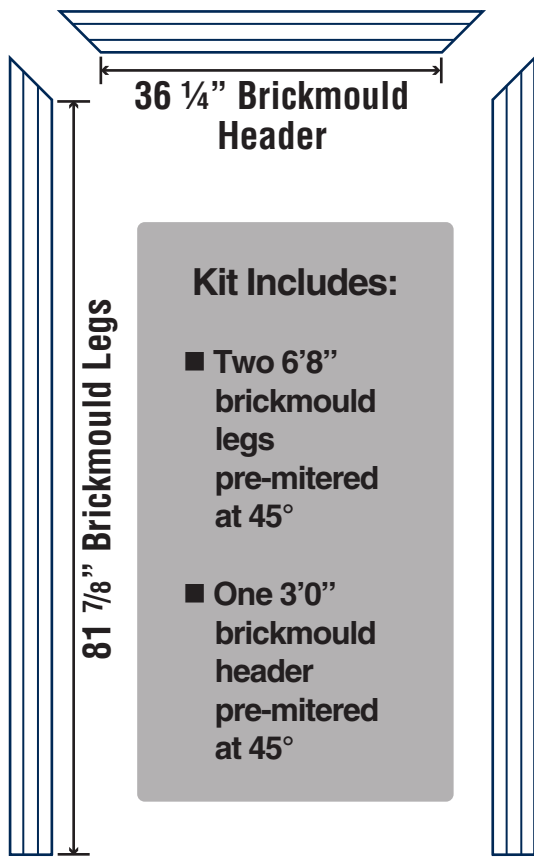
- Maintenance free
- Primed – Ready to paint or stain
- Resistant to mold, mildew, fungus & insects
- Ready to Install
- Screws and nails like wood

LIMITED LIFETIME WARRANTY



800-760-8941

www.frontlinebldg.com



Kit Includes:

- Two 6'8" brickmould legs pre-mitered at 45°
- One 3'0" brickmould header pre-mitered at 45°

LIMITED LIFETIME WARRANTY

NOTE: FrontLine Bldg. Products Inc. recommends using a paintable, stainable caulk in the miter joints to enhance the finished look of the 4Ever Composite Brickmould.

PRE-MITTERED PAINTABLE • STAINABLE COMPOSITE BRICKMOULD KIT

Pre-Mitered Primed Brick Mould Kit

For doors up to
6'0" x 6'8"



4Ever
Frame

Composite Wood

The **4Ever Frame**'s unique formulation combines the strength and stability of wood without the rotting, warping and splitting. The **4Ever Frame** has the same shape designs, use, and functionality as wood moulding, and can be similarly painted, stained, nailed, and machined.

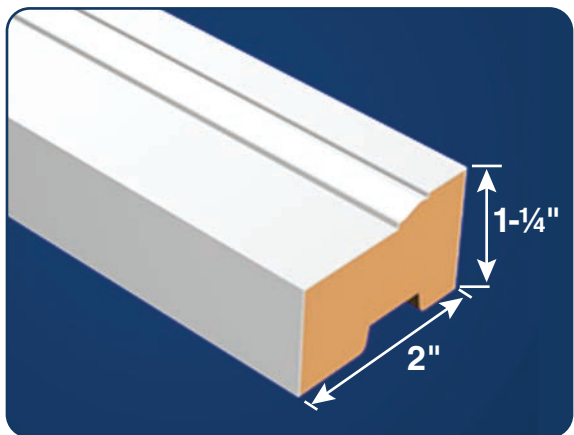
PRE-MITTERED PAINTABLE • STAINABLE COMPOSITE BRICKMOULD KIT

For doors up to
6'0" x 6'8"

For doors up to
6'0" x 6'8"



4Ever
Frame



Tips on Installation

Nailing

Install 4Ever Frame brickmould using 6d or 8d galvanized finished nails. Place nails 12" on center. Nails should be approximately 3/4" from each edge. If nailing product at 40°F or below, pre-drilling is required.

Painting/Staining

Be sure to follow the paint manufacturer's detailed application instructions on the product label. Please read and understand the manufacturer's entire staining procedure before attempting to finish.

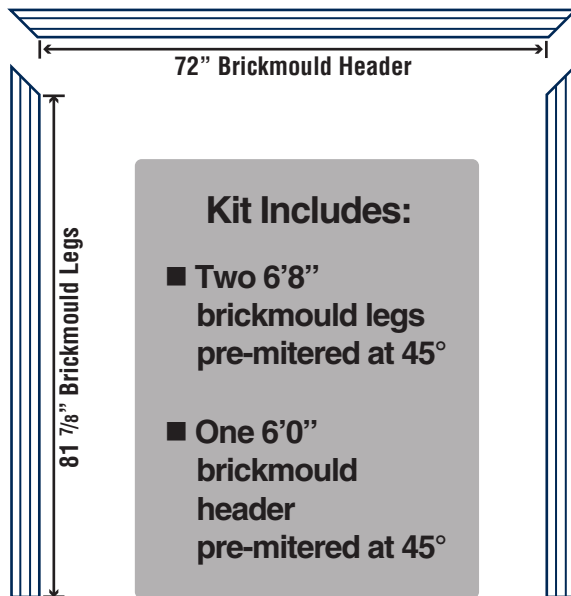
- Maintenance free
- Primed – Ready to paint or stain
- Resistant to mold, mildew, fungus & insects
- Ready to Install
- Screws and nails like wood

**LIMITED LIFETIME
WARRANTY**



800-760-8941

www.frontlinebldg.com



**LIMITED LIFETIME
WARRANTY**

NOTE: FrontLine Bldg. Products Inc. recommends using a paintable, stainable caulk in the miter joints to enhance the finished look of the 4Ever Composite Brickmould.